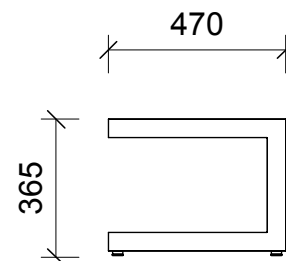
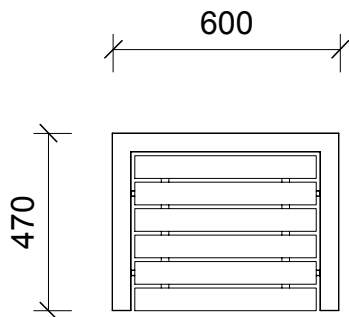
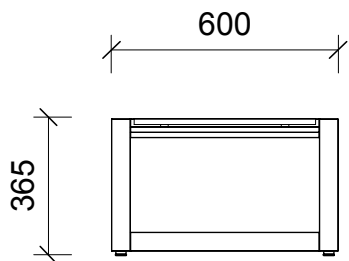


C-Hocker



maten in mm