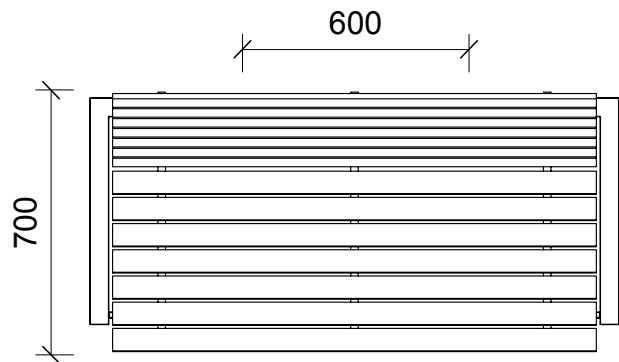
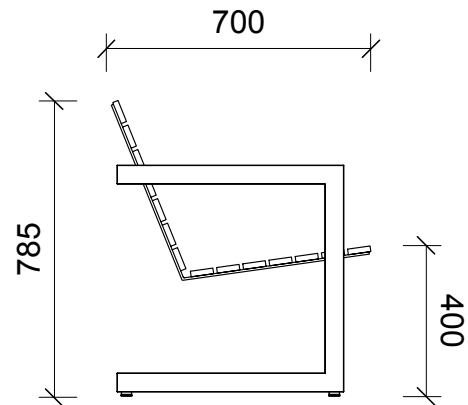
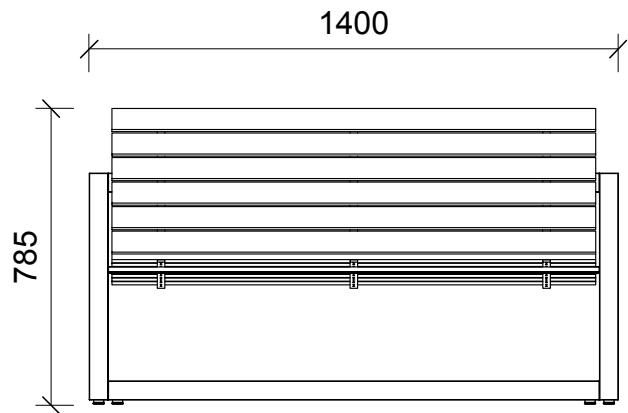


# C-Couch



maten in mm